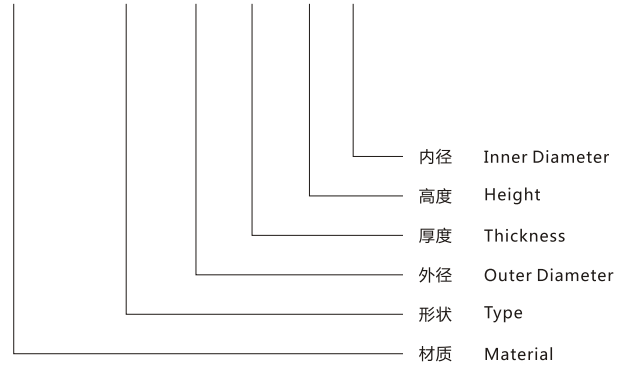


### SH Type Core

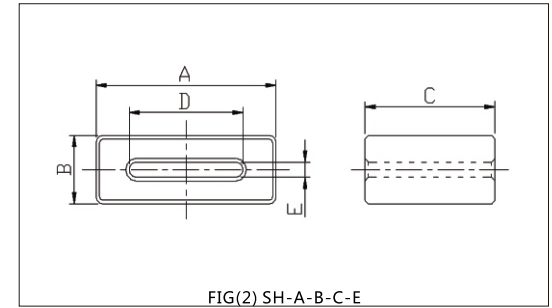
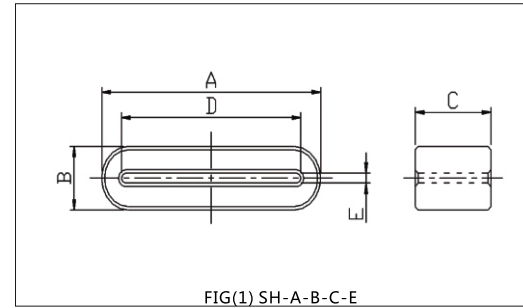
● 命名表示 / Ordering Core System

**TN100B SH - A - B - C - E**



● 适用材质 / Available Material :  
TN65H/ TN65B/ TN80G/ TN100B etc.

● 使用范围 / Application :  
主要适用于平面电缆滤波器等  
Internal cable between PC boards and data connectors etc.



### SH Type Core

型号 TYPE	尺寸 Dimensions ( mm )					图例 FIG
	A	B	C	D	E	
SH-15.3-8-15-2	15.30±0.8	8.00±0.5	15.00±0.5	9.30±0.5	2.00±0.4	1
SH-23.8-6.3-7	23.80±0.4	6.30±0.4	7.00±0.5	18.80±0.4	1.10±0.15	1
SH-28-8-15-2	28.00±0.8	8.00±0.5	15.00±0.5	9.30±0.8	2.00±0.4	1
SH-33.5-6.5-12.3	33.50±0.5	6.50±0.3	12.30±0.3	28.30±0.5	1.30±0.2	1
SH-39.8-6.5-12.3	39.80±0.5	6.50±0.3	12.30±0.3	34.60±0.5	1.30±0.2	1
SH-32-7.75-9.7	32.00±0.64	7.75±0.5	12.00±0.4	27.40±0.5	1.00±0.3-0.5	1
SH-32-7.75-35	32.00±0.64	7.75±0.4	35.50±1.05	25.10±0.5	0.90±0.5-0.3	1
SH-22.35-7.75-19.05	22.35±0.5	7.75±0.38	19.05±0.64	14.00±0.25	1.50±0.25	2
SH-38.85-26-28.6-12.95	38.85±0.75	26.15±0.75	28.60±0.75	26.00±0.6	12.95±0.25	1
SH-40-7.6-28.6-1.3	40.00±1.0	7.60±0.5	28.60±0.6	33.70±1.0	1.30±0.4-0.3	1
SH-40-6.5-18-1.3	40.00±1.0	6.50±0.3	18.00±0.4	34.80±0.7	1.30±0.25	1
SH-46-5.0-12	46.00±1.0	5.00±0.5	12.00±0.5	42.00±0.8	0.80±0.4-0.25	1